

# Airport Land Use Compatibility Planning in San Diego County

Point Loma Community Planning Board

Airport Committee

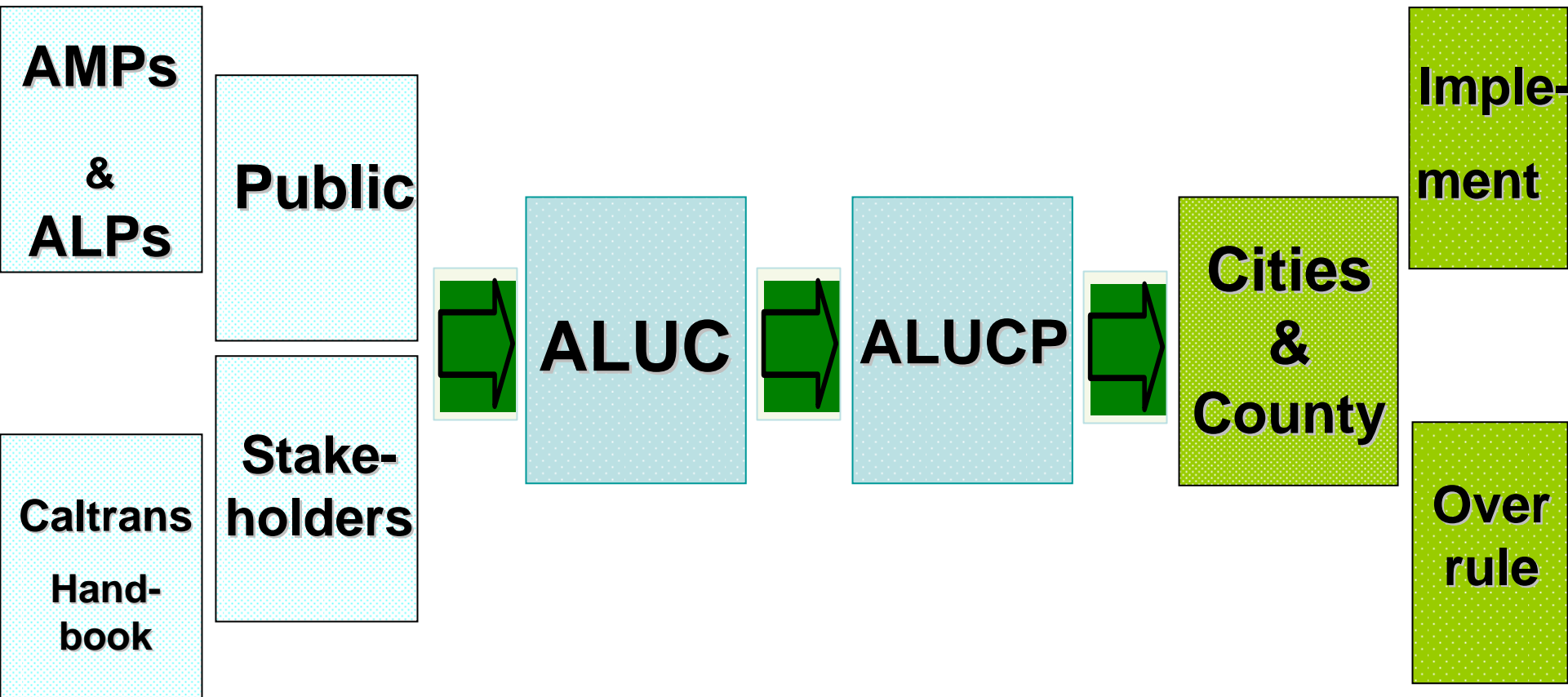
May 7, 2008

# ALUC Responsibilities

- ◆ **Adopt Airport Land Use Compatibility Plans (ALUCPs)**
- ◆ **Guide local jurisdictions on proposed development**



# ALUCP Preparation/Adoption Process



# Four Airport Compatibility Layers

